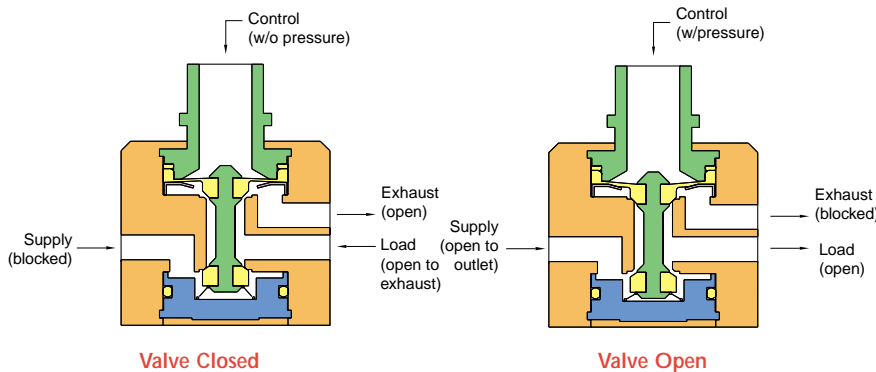
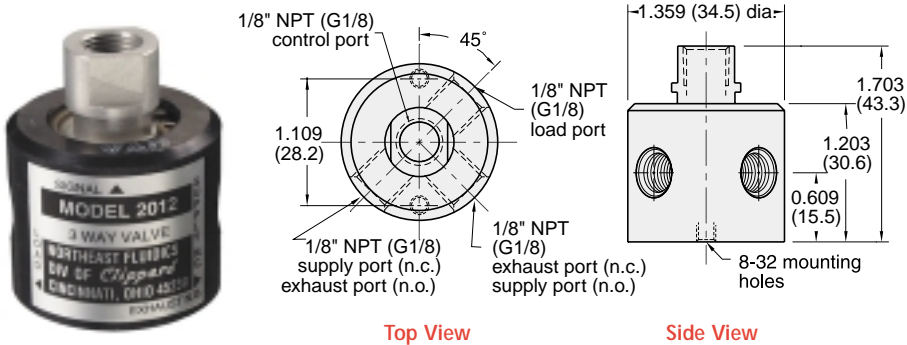




# SPECIAL PILOTED 3-WAY VALVES

## 3-Way N.O. or N.C. Air-Piloted Valves



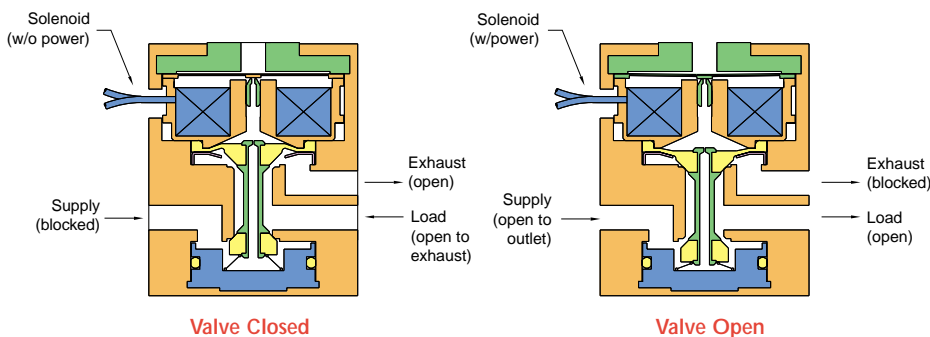
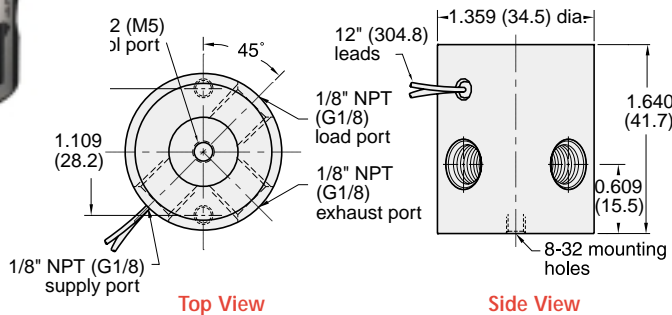
**Medium:** Air  
**Material:** Anodized aluminum body, Buna-N diaphragms  
**Input Pressure:** 1-100 psig/7 bar max.  
**Air Flow:** 22 SCFM @ 100 psig; 530 l/min @ 6 bar  
**Bleed:** 0.1 SCFM @ 100 psig  
**Minimum Pilot Pressure:**  
 n.o. - 90% of supply pr.  
 n.c. - 60% of supply pr.  
**Response Time:** 15 ms. after pilot pressure reaches switch point  
**Operating Speed:** 1100 CPM

Part No.	Description
2012	. . . . .Piloted Valve, 1/8" NPT
2012-MG	. . . . .Piloted Valve, G1/8
2012-VAC	. . . . .Valve for Vacuum Operation (requires positive pressure pilot signal)
2012-G	. . . . .Valve for Liquid Adhesives (silicone diaphragm and seals), 1/8" NPT
2012-G-MG	. . . . .Valve for Liquid Adhesives (silicone diaphragm and seals), G1/8

## 3-Way N.O. or N.C. Air-Piloted Valves



3-Way Normally Closed Electronic Valve with low-power DC solenoid solid state output signals can be directly converted to high pressure pneumatic power without amplification



**Medium:** Air  
**Material:** Anodized aluminum body, Buna-N diaphragms  
**Stem Travel:** 1/8"  
**Input Pressure:** 30-100 psig/2-7 bar max.  
**Air Flow:** 22 SCFM @ 100 psig; 530 l/min @ 6 bar  
**Bleed:** 0.1 SCFM @ 100 psig  
**Filtration:** 10 micron  
**Frequency Response:** 50 Hz @ 100 psig; 70 Hz @ 30 psig  
**Switching Speed:** 10 ms.  
**Leads:** 28 gauge stranded P.V.C. insulated  
**Continuous Overload:** 350% @ 25° C ambient; 250% @ 50° C ambient  
**Power Consumption:** less than 0.50 watts at rated voltage  
 80 ma. @ 6V  
 40 ma. @ 12V  
 20 ma. @ 24V

Part No.	Description
2013-6	. . . . .Valve, 6 Volts DC, 1/8" NPT
2013-12	. . . . .Valve, 12 Volts DC, 1/8" NPT
2013-24	. . . . .Valve, 24 Volts DC, 1/8" NPT
2013-6-MG	. . . . .Valve, 6 Volts DC, G1/8
2013-12-MG	. . . . .Valve, 12 Volts DC, G1/8
2013-24-MG	. . . . .Valve, 24 Volts DC, G1/8